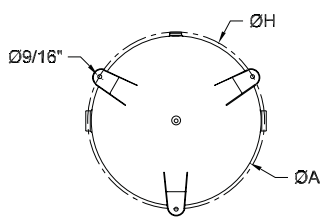
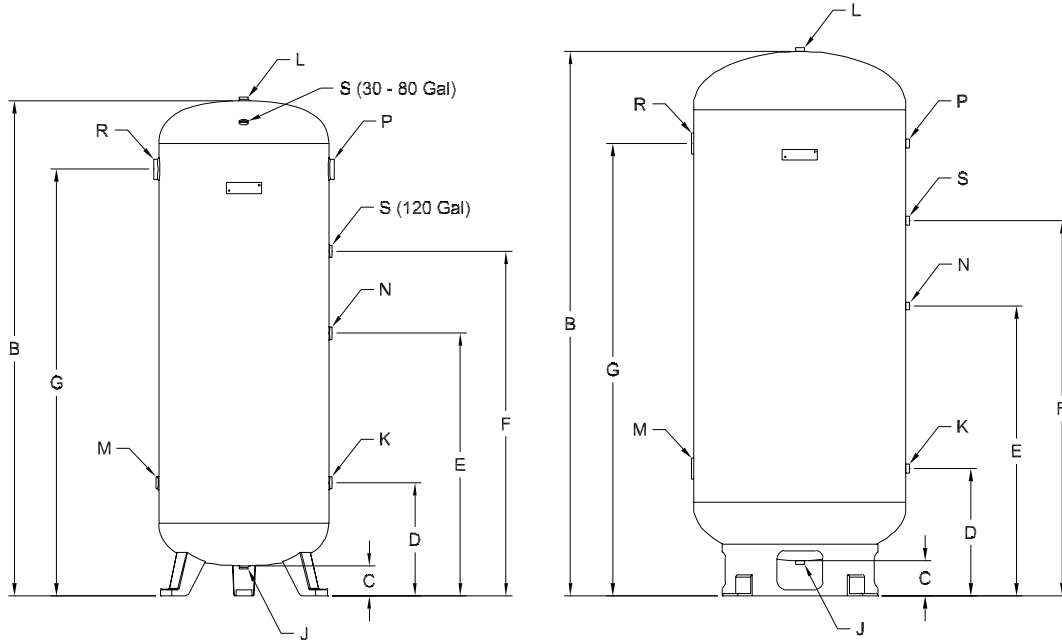
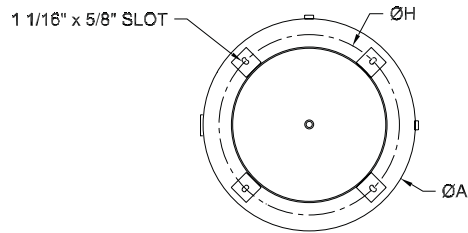


Vertical Air Receiver Without Top Plate

ASME Code, National Board Registered
Grey Powder Paint Finish



30 to 120 Gallon



200 & 240 Gallon

Model	Capacity (Gallons)	MAWP (PSI)	Dimensions, inches							Openings, NPT								
			Tank Diameter A	B	C	D	E	F	G	Bolt Circle H	J	K	L	M	N	P	R	S
AR8022	30	200	16.0	40.5	2.5	11.0	21.5	-	32.0	17.0	1/2	3/4	3/4	1 1/2	-	3/4	1 1/2	1/4
AR8023	60	200	20.0	52.0	3.0	12.5	26.0	-	42.5	24.0	1/2	3/4	3/4	2	-	3/4	2	1/4
AR8024	80	200	24.0	49.5	4.5	14.0	27.0	-	40.0	27.0	1/2	1	3/4	2	-	1	2	1/4
AR8025	120	200	24.0	70.5	4.5	14.0	37.5	49.3	61.0	27.0	3/4	2	3/4	2	1/2	2	2	1/4
AR8026	200	200	30.0	77.0	5.0	18.0	41.0	52.5	64.0	25.5	3/4	2	1	3	1/2	2	3	1/4
AR8027	240	200	30.0	89.0	5.0	18.0	47.0	61.5	76.0	25.5	3/4	2	1	3	1/2	2	3	1/4