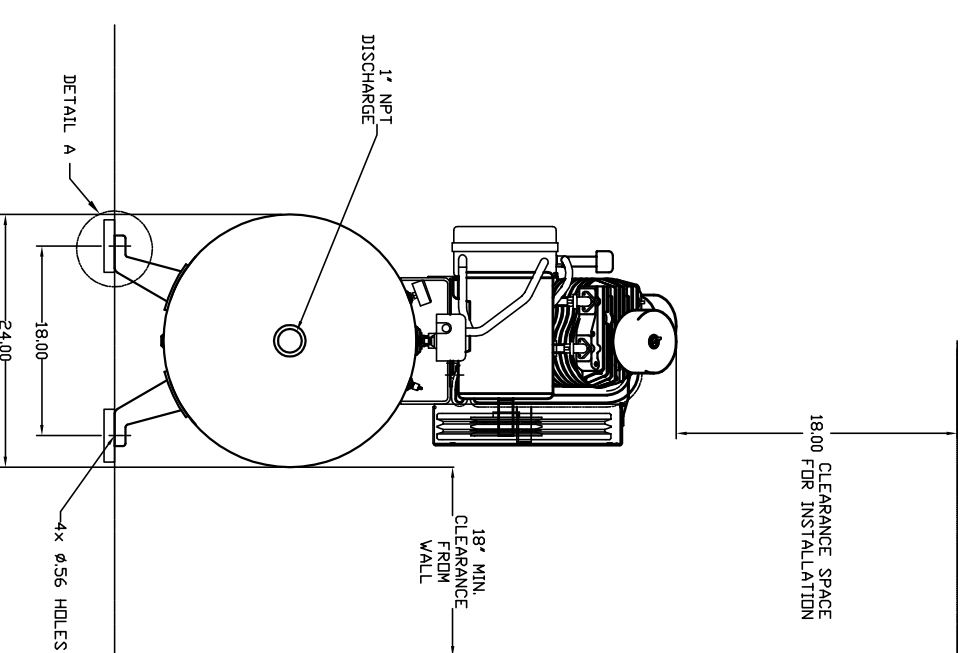
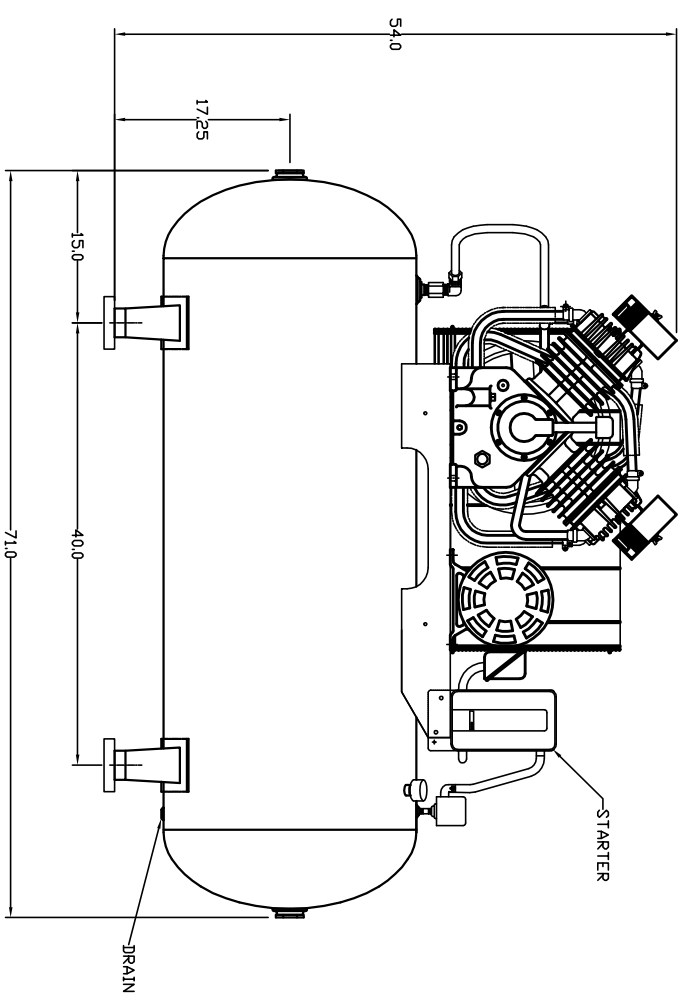
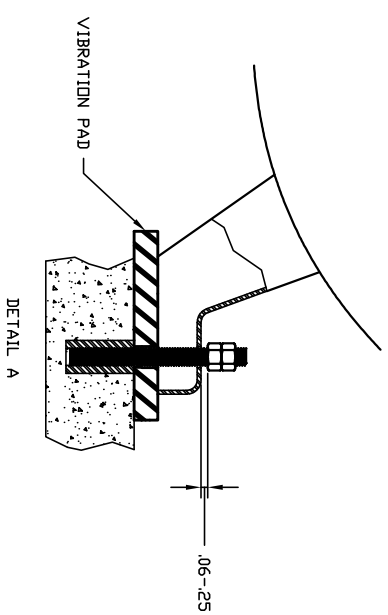


REV	ZONE	REVISION	DATE	EN	BY	REV	ZONE	REVISION	DATE	EN	BY
01		RELEASE FOR PRODUCTION	9/10/09	2215	N/A	01		RELEASE FOR PRODUCTION	9/10/09	2215	N/A



- NOTES:**
1. SPECIFICATIONS AND DIMENSIONS ARE SUBJECT TO CHANGE WITHOUT NOTICE OR OBLIGATION.
 2. AMBIENT AIR TEMPERATURE SHOULD NOT EXCEED 100°F.
 3. USE VIBRATION PADS ON A FLAT, CONCRETE FLOOR.
 4. USE CONCRETE ANCHORS BUT DO NOT DRAW BOLTS TIGHT TO ALLOW VIBRATION PADS TO FUNCTION.
 5. AIR RECEIVER CONSTRUCTED TO ASME CODE AND HAS CRN.

SYMBOL	LEADER	ADDITIONAL CONTROL	TELEPHONE	NOT SPECIFIED
⊖		MINUS DRAFT	.XX	18.00"
⊕		PLUS DRAFT	.XX	18.00"
⚙		REVISION NOTE	4783.3	18.00"
SHEET 1 OF 1 DO NOT SCALE DRAWING FOR DIMENSIONS				
CONVENTIONAL	APPROXIMATE	UNITS	INCHES	
1/8"	1/8"	SCALE	1/8"	
1/4"	1/4"	SCALE	1/4"	
3/8"	3/8"	SCALE	3/8"	
1/2"	1/2"	SCALE	1/2"	
3/4"	3/4"	SCALE	3/4"	
1"	1"	SCALE	1"	
MATERIAL NOTED				
PART NAME 10 HP 120 GAL COMPRESSOR				
DATE 9/30/09				
BY B/LH				
APPROVED MAB				
DATE 9/11/09				
CONTROL NUMBER UA0102				
SIZE D				

