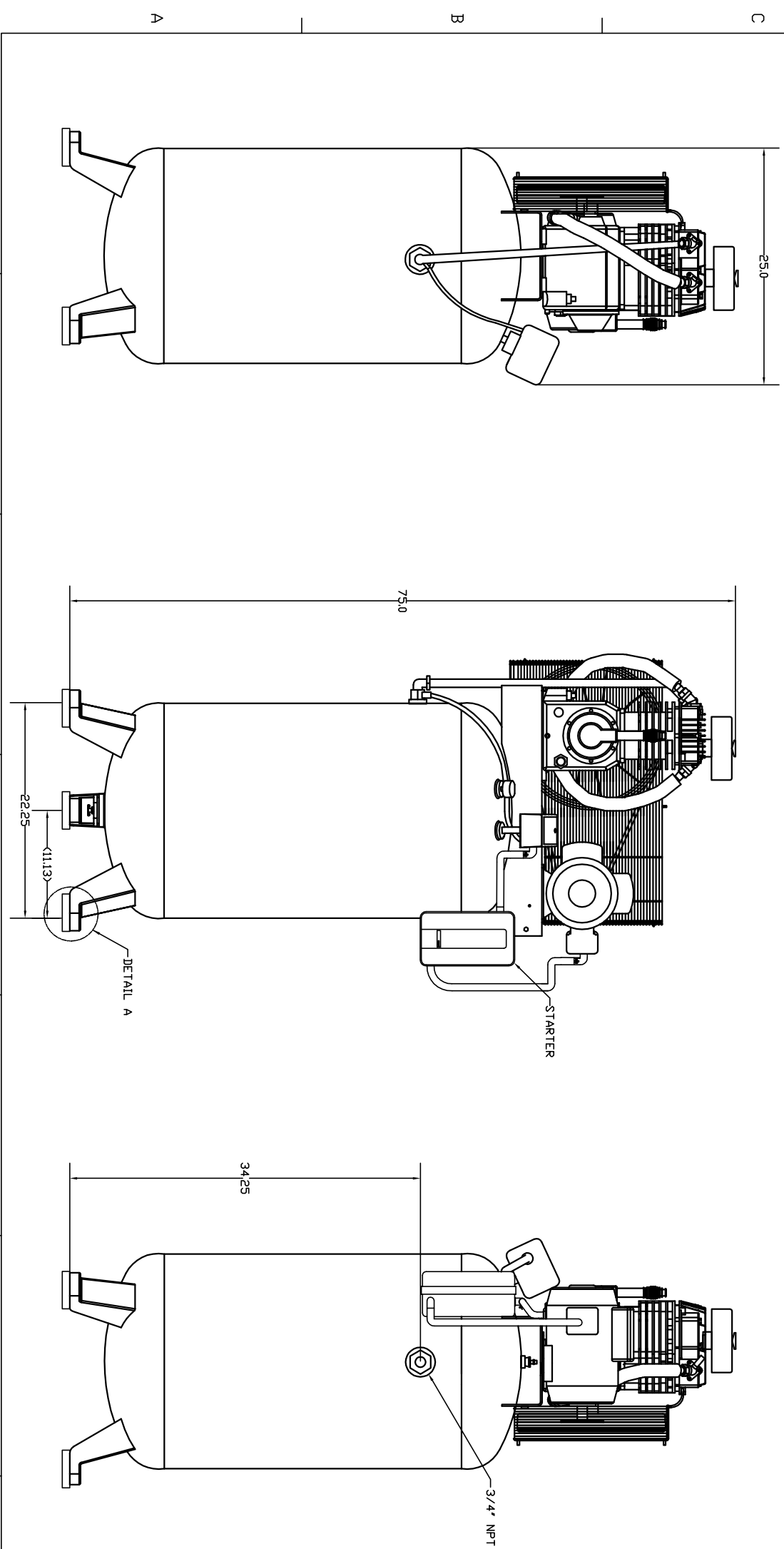
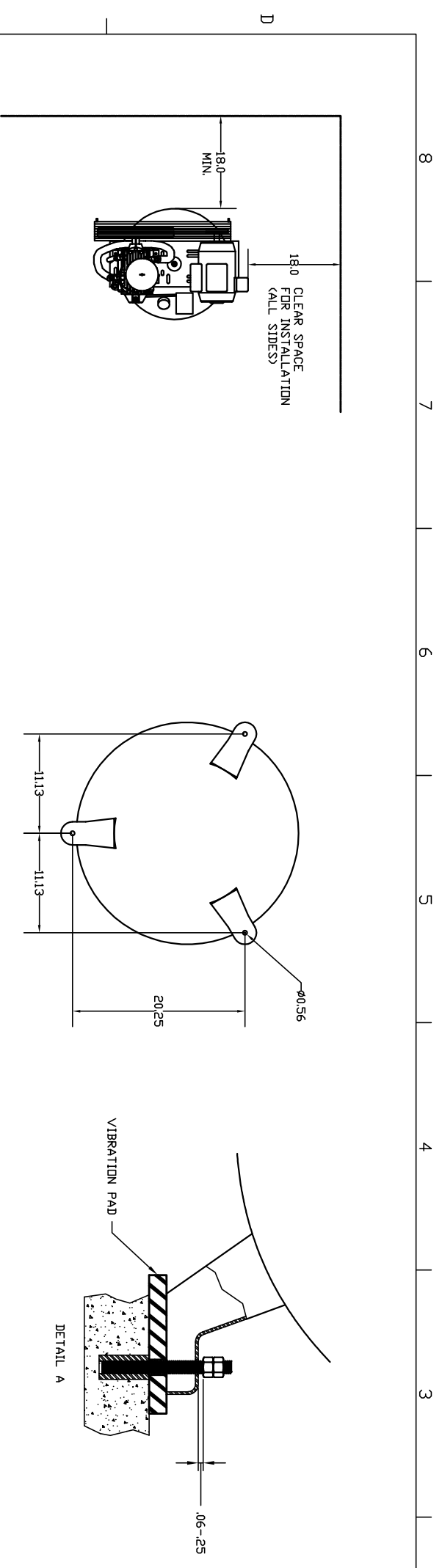


REV	ZONE	REVISION	DATE	EN	BY	REV	ZONE	REVISION	DATE	EN	BY
01		RELEASE FOR PRODUCTION	9/10/09	2215	N/A	01		RELEASE FOR PRODUCTION	9/10/09	2215	N/A



- NOTES:**
- SPECIFICATIONS AND DIMENSIONS ARE SUBJECT TO CHANGE WITHOUT NOTICE OR OBLIGATION.
  - AMBIENT AIR TEMPERATURE SHOULD NOT EXCEED 100°F.
  - USE VIBRATION PADS ON A FLAT CONCRETE FLOOR.
  - USE CONCRETE ANCHORS, BUT DO NOT DRAW BOLTS TIGHT TO ALLOW VIBRATION PADS TO FUNCTION.
  - AIR RECEIVER CONSTRUCTED TO ASME CODE AND HAS CRN.

SYMBOL LEGEND	TELEPHONE NO. SPECIFIED
⊕ = MINUS DRAFT	.XX = 18.00"
⊖ = PLUS DRAFT	.XX = 18.00"
⚙ = ADDITIONAL CONTROL	.XX = 18.00"
⚙ = BRINELL HARDNESS	.XX = 18.00"
⚙ = REVISION NOTE	.XX = 18.00"
<b>SHEET 1 OF 1 DO NOT SCALE DRAWING FOR DIMENSIONS</b>	
CONVENTIONAL DIMENSIONS	PLAT SCALE
GENERAL DIMENSIONS	1/8"
CONCRETE DIMENSIONS	1/8"
STEEL DIMENSIONS	1/8"
BRASS DIMENSIONS	1/8"
ALUMINUM DIMENSIONS	1/8"
DATE	APPROVED
9/30/09	9/11/09
9/11/09	9/11/09
PART NAME: 80 GAL. SHP VERTICAL COMPRESSOR AUTOCAD FILE: UA0100	

8 7 6 5 4 3 2